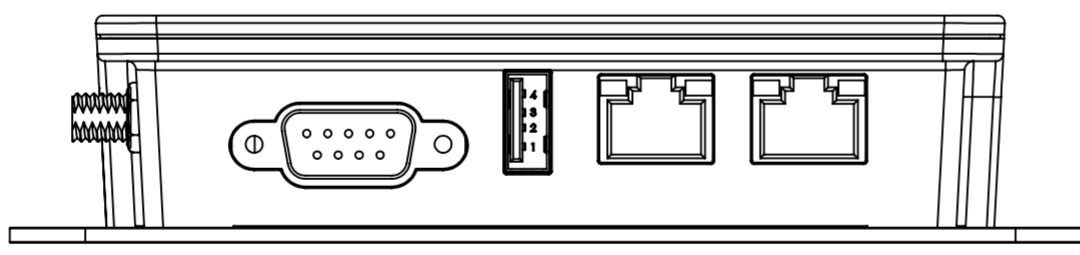
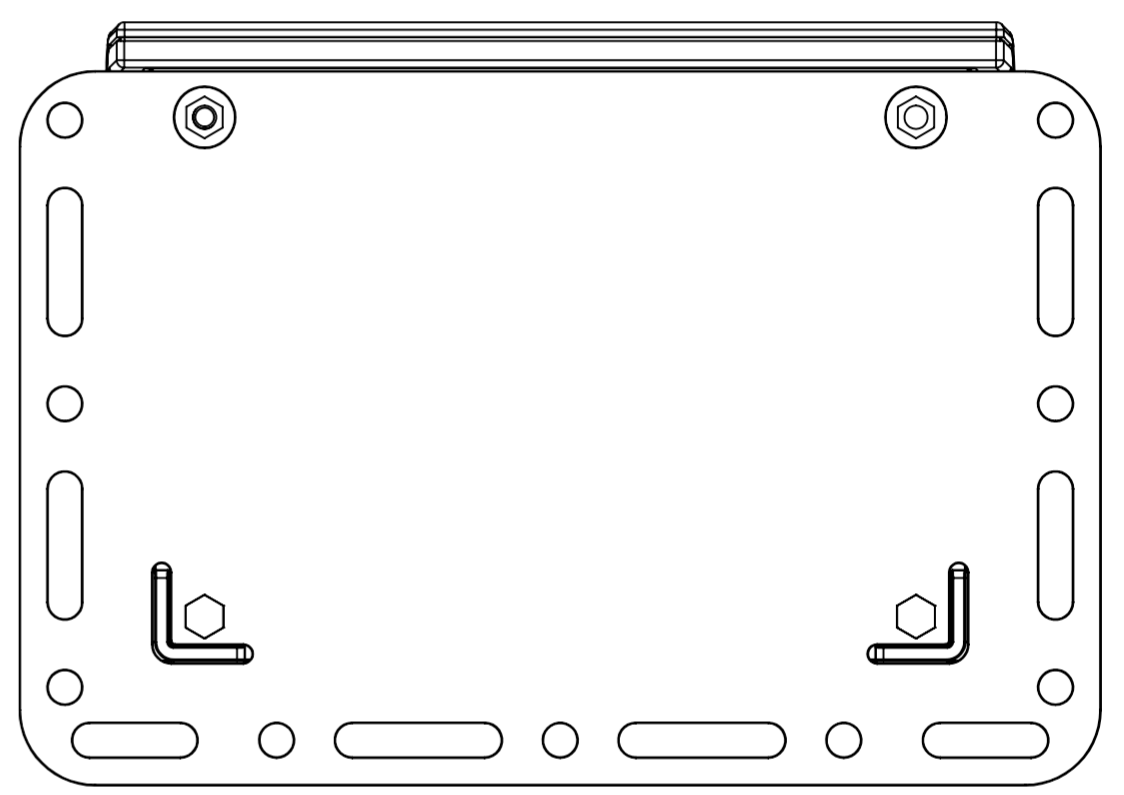
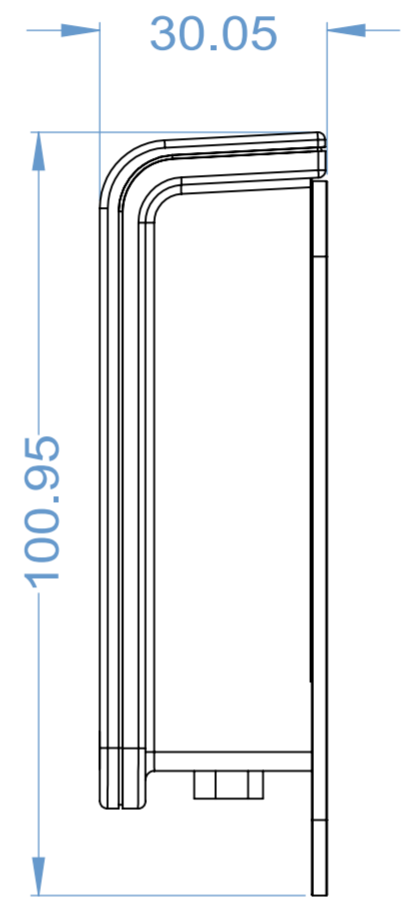
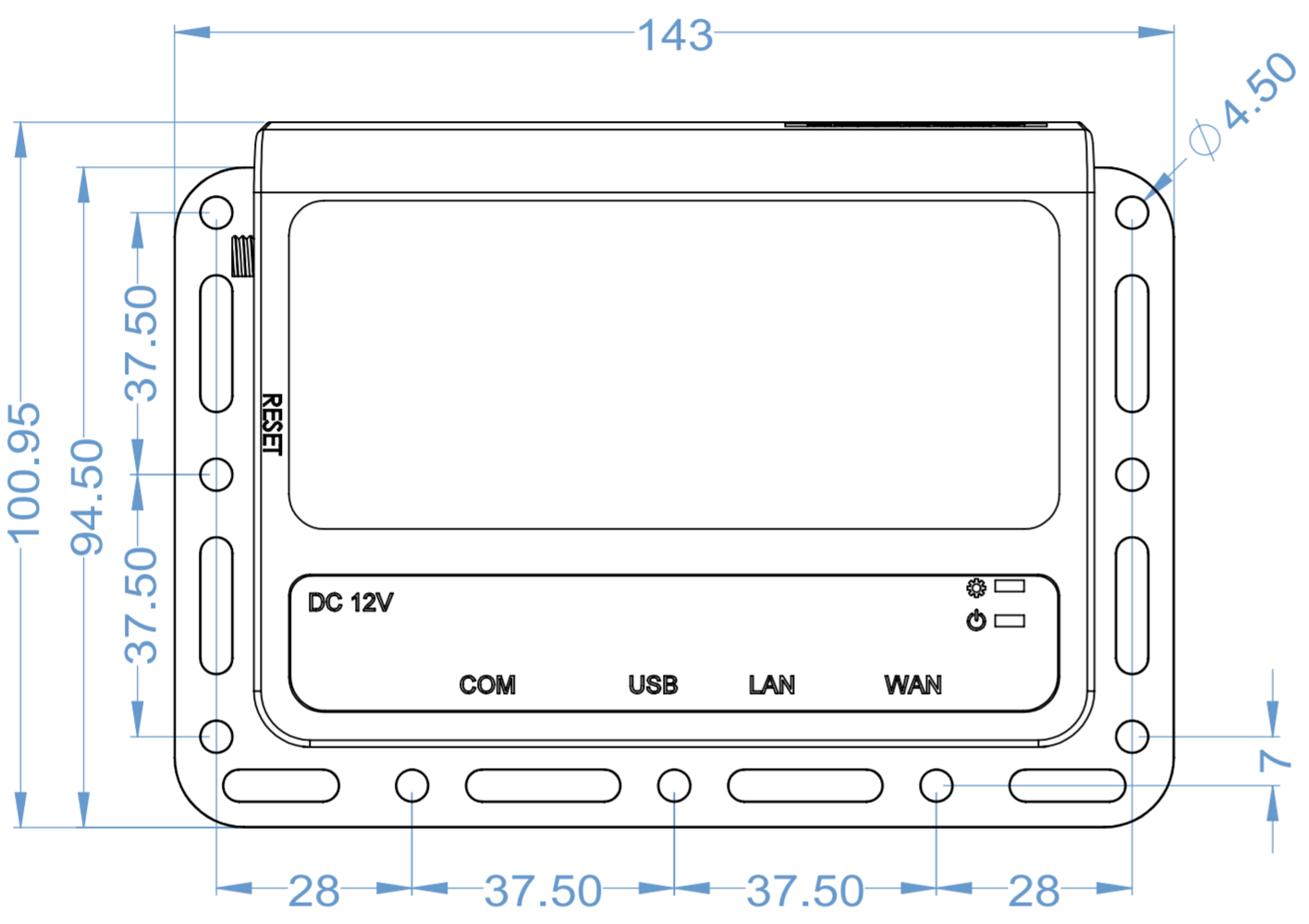
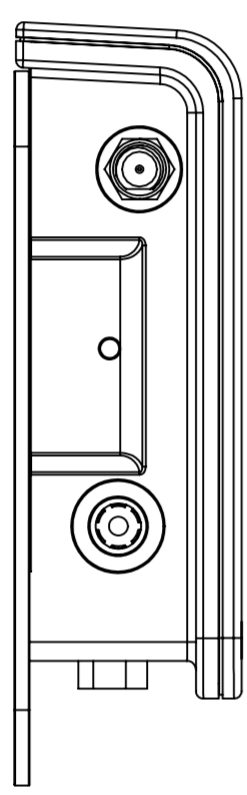
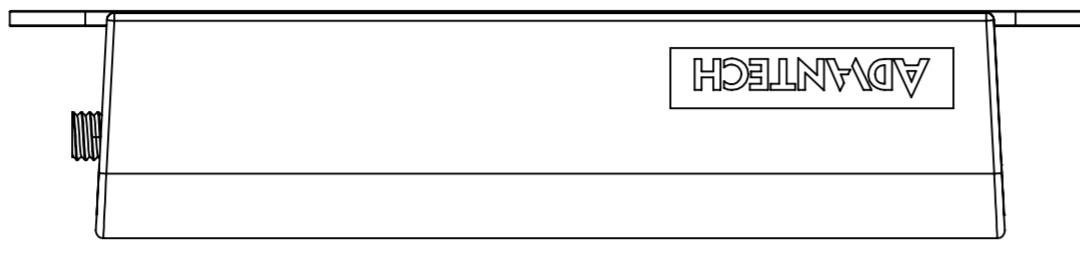


A
B
C
D
E
F
G
H

A
B
C
D
E
F
G
H



ADVANTECH		APPROVED		DESCRIPTION/PART NAME	
研華股份有限公司		DRAWER		MODEL NAME	
		DESIGNER		WISE-3200_mount hole dimension	
		CHECKED		INTERIOR PART APPEARANCE PART	
DIMENSIONAL TOLERANCES ±		M1	M2	S1	S2
0-5.99		0.05	0.10	0.15	0.20
6-29.99		0.10	0.20	0.15	0.25
30-79.99		0.15	0.25	0.20	0.30
80-179.99		0.15	0.30	0.25	0.45
180-314.99		0.20	0.50	0.35	0.60
315-800		0.30	0.80	0.50	1.10
ANGLE		90°	1.0°	D=3L/1000 (Max)	
TOLERANCES ±		Other	1.5°	THIRD ANGLE PROJECTION	
		SCALE 1:1		UNITS mm	SHEET 1 of 1
				SIZE A2	